



VISIT US ONLINE TO CREATE YOUR IDEAL INFINITI

www.infinitiusa.com

JOIN OUR COMMUNITY, AND GET THE LATEST INFO

 [Facebook.com/infiniti](https://www.facebook.com/infiniti)  [Twitter.com/infinitiusa](https://www.twitter.com/infinitiusa)

This brochure is intended for general descriptive and informational purposes only. It is subject to change and does not constitute an offer, representation or warranty (express or implied) by Nissan North America, Inc. Interested parties should confirm the accuracy of any information in this brochure as it relates to a vehicle directly with an INFINITI Retailer before relying on it to make a purchase decision. Nissan North America, Inc., reserves the right to make changes, at any time, without prior notice, in prices, colors, materials, equipment, specifications, and models and to discontinue models or equipment. Due to continuous product development and other pre- and post-production factors, actual vehicle, materials and specifications may vary from this brochure. Some vehicles shown with optional equipment. See the actual vehicle for complete accuracy. Availability and delivery times for particular models or equipment may vary. Specifications, options and accessories may differ in Hawaii, U.S. territories and other countries. For additional information on availability, options or accessories, see your INFINITI Retailer or visit INFINITI website.

Final production vehicle may vary. Always wear your seat belt, and please don't drink and drive. ©2017 INFINITI. IN-20611 Reorder #185071 (6/17, 39K, CG) ♻️ Reducing our environmental footprint is an important goal at INFINITI. That's why this brochure uses paper stock that is certified to contain a minimum of 10% post-consumer waste materials.

2018
Q50



INFINITI

EMPOWER THE DRIVE™

INFINITE POTENTIAL

We believe every driver is empowered with untold possibilities. To excel. To go as far as their drive will take them. See this take shape on the INFINITI Q50, where digitally enhanced dynamics amplify its segment-leading power.^{1,2} Begin by crafting your Q50 for your unlimited journey. Every selection will transform vision into reality: Yours.



REFLECT YOUR NATURAL POWER Sharpened lines, intensified headlights and dramatized taillights distinguish the restyled front and rear of the INFINITI Q50. To make your most powerful statement, the Q50 3.0t SPORT and Q50 RED SPORT 400 models' front fascia bears bold edges and aggressive openings that are complemented by a rear bumper with aero-inspired lower diffuser.

ACCELERATE TO THE REDLINE The INFINITI Q50 can thrill you with a range of engines that unleash the forces of innovation to heighten your performance, including a pair of 3.0-liter twin-turbo V6³ engines. For the peak experience is the segment-leading 400-hp variant^{1,2} in the Q50 RED SPORT 400 models, with its signature red "S" badging.



WHEEL CHOICES



17 X 7.5-INCH SPLIT 5-SPOKE ALUMINUM-ALLOY WHEELS WITH ALL-SEASON RUN-FLAT TIRES



18 X 7.5-INCH ALUMINUM-ALLOY WHEELS WITH ALL-SEASON RUN-FLAT TIRES*



19 X 8.5-INCH TRIPLE 5-SPOKE ALUMINUM-ALLOY WHEELS WITH ALL-SEASON OR SUMMER RUN-FLAT PERFORMANCE TIRES*



19 X 9.0-INCH FRONT, 19 X 9.5-INCH REAR STAGGERED ALUMINUM-ALLOY WHEELS** WITH SUMMER PERFORMANCE RUN-FLAT TIRES*

EXTERIOR COLORS



INFINITI has taken care to ensure that the color swatches presented here are the closest possible representations of actual vehicle colors. Swatches may vary slightly due to the printing process and whether viewed in daylight, fluorescent or incandescent light. Please see the actual colors at your local INFINITI Retailer. *Additional cost applies for this option. **Q50 RED SPORT 400 AWD receives 19 x 9.0-inch front and rear wheels with all-season run-flat performance tires. ***Q50 3.0t SPORT and Q50 RED SPORT 400 models only. ****Q50 RED SPORT 400 models only.

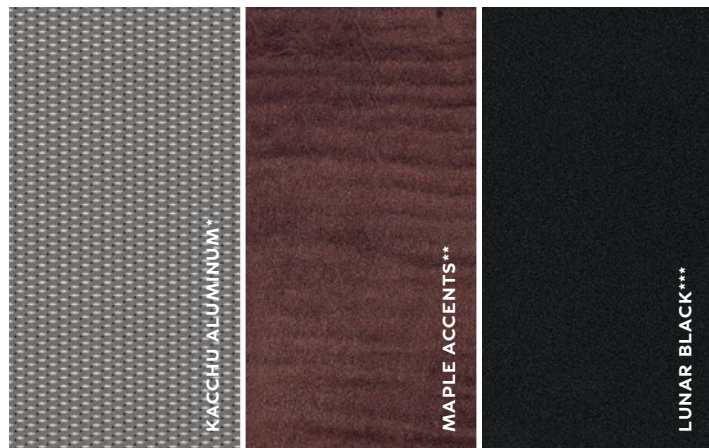
ADD DISTINCTION



INTERIOR COLORS



INTERIOR TRIM



INFINITI has taken care to ensure that the color swatches presented here are the closest possible representations of actual vehicle colors. Swatches may vary slightly due to the printing process and whether viewed in daylight, fluorescent or incandescent light. Please see the actual colors at your local INFINITI Retailer. *Q50 3.0t SPORT and Q50 RED SPORT 400 models. **Q50 2.0t LUXE, Q50 3.0t LUXE and Q50 Hybrid LUXE models only. ***Q50 PURE models only.

ENHANCE YOUR CAPABILITIES

How will your Q50 come to life? Engineered to amplify the driver, it offers bold ideas for the driven. Tailor the interior to your personality. Accent the space to your taste. Lead with technologies¹ that challenge conventions of what a sport sedan—and you as its driver—can achieve.

PILOT WITH EASE When technology advances to enhance the driver, you can cruise easier, follow smarter, steer quicker. INFINITI drive assist technologies in the ProACTIVE Package¹ employ the same technical innovations that will inspire and empower us in the future. When activated, drive assist technologies¹ can automatically react to traffic, to help you brake for cars ahead, accelerate to your preset pace, and even help steer straight down your lane.



DRIVE WITH BACKUP Elevate your Q50 with the ProASSIST Package¹ and you equip yourself with the most advanced safety technologies to help you see and respond to danger. Predictive Forward Collision Warning^{1,3} enables your Q50 to monitor the vehicle in front of you and the one in front of that one. Equally forward-looking, the Around View[®] Monitor^{1,4} with Front and Rear Parking Sensors^{1,5} offers a virtual 360-degree view from above to make parking easier.

BLEND POWER AND EFFICIENCY Step on the pedal of the Q50 Hybrid LUXE and tap the unmatched potential of the INFINITI Direct Response Hybrid.[®] A robust 3.5L V6 coupled with a 50 kw electric motor delivers an impressive 360-combined horsepower. Yet at 32 mpg highway,⁶ efficiency is as enjoyable as brisk acceleration. Inside, the Q50 Hybrid LUXE refuses to compromise with a driver-centric cockpit, while a suite of safety features effortlessly extends your awareness and capabilities.

SENSE THE DIFFERENCE The Sensory Package¹ allows you to experience the difference the moment you enter your Q50. Watch as the seats and steering wheel automatically move to your precise settings. Feel the level of craftsmanship from the leather-appointed seating (3.0t LUXE). See how enhanced ambient lighting accents the interior space; and hear, for yourself, the full precise sound of the Bose[®] Performance Series audio system.¹



TRIM LEVELS & PACKAGES

Q50 2.0t PURE AND 2.0t LUXE	Q50 3.0t LUXE	Q50 3.0t SPORT	Q50 RED SPORT 400	Q50 HYBRID LUXE
<ul style="list-style-type: none"> • 208-hp 2.0-liter I4 turbo with Idle Stop/Start • 7-speed Automatic Transmission • LED signature headlights • 17-inch alloy wheels • RearView Monitor⁴ • INFINITI InTouch™ dual screen display⁷ • INFINITI Intelligent Key with Push Button Start • Drive Mode Selector • Bluetooth® Hands-free Phone System and audio streaming⁸ • SiriusXM® Travel Link with 4-year complimentary trial access⁹ • Heated outside mirrors and rain-sensing wipers • Leatherette-appointed seating • 8-way power adjustable front seats • Dual Zone Automatic Temperature Control System • 2 USB ports¹⁰ • Rear-Wheel Drive or INFINITI Intelligent All-Wheel Drive <p>Q50 2.0t LUXE Includes all Q50 2.0t PURE standard features, plus:</p> <ul style="list-style-type: none"> • 18-inch aluminum-alloy wheels • 225/50R18 all-season run-flat tires • Power sliding, tinted glass moonroof • Chrome bumper finishers • Maple wood interior trim • HomeLink® Universal Transceiver • Rear-Wheel Drive or INFINITI Intelligent All-Wheel Drive <p>Optional Packages: 1 5</p>	<p>Includes all Q50 2.0t PURE standard features, plus:</p> <ul style="list-style-type: none"> • 300-hp 3.0-liter V6 twin-turbo • Rack Electronic Power Steering • 18-inch aluminum-alloy wheels • 225/50R18 all-season run-flat tires • Power sliding/tilting moonroof • Chrome bumper finishers • 3.0t fender badge • Maple wood interior trim • HomeLink® Universal Transceiver • Rear-Wheel Drive or INFINITI Intelligent All-Wheel Drive <p>Optional Packages: 2 5 6 8 11 12</p> 	<p>Includes all Q50 3.0t LUXE standard features, plus:</p> <ul style="list-style-type: none"> • 19-inch Sport wheels • 245/40R19 performance run-flat tires • Sport front and rear fascias • Silver "S" trunk badge • Leather-appointed sport seats with thigh extension • Driver's seat power lumbar and torso adjustment • Kacchu aluminum interior trim • Rear-Wheel Drive or INFINITI Intelligent All-Wheel Drive <p>Optional Packages: 3 4 5 7 8 11 12</p> 	<p>Includes all Q50 3.0t SPORT standard features, plus:</p> <ul style="list-style-type: none"> • 400-hp 3.0-liter V6 twin-turbo • Unique 19-inch Sport wheels • Dynamic Digital Suspension • Sport brakes with red finish calipers • Unique dual exhaust tips with brushed satin finish • Red "S" exterior badging and Black-painted sideview mirrors • Remote Engine Start System¹¹ • Quilted, semi-aniline leather-appointed sport seats with red stitching • Heated front seats and steering wheel • Unique steering wheel-mounted paddle shifters • Black headliner and pillars • Aluminum sport pedals • INFINITI InTouch™ Navigation¹² • INFINITI InTouch™ Services with 12 months of safety, security and convenience services⁷ • SiriusXM Traffic™ with 4-year complimentary trial access to real-time traffic information⁹ • 60/40-split folding rear seat with center armrest • Blind Spot Warning (BSW)¹³ • Backup Collision Intervention (BCI)¹⁴ • Around View® Monitor (AVM) with Moving Object Detection (MOD)¹⁵ with Front and Rear Parking Sensors⁵ • Predictive Forward Collision Warning (PFCW)³ • Forward Emergency Braking (FEB)¹⁶ • Rear-Wheel Drive or INFINITI Intelligent All-Wheel Drive <p>Optional Packages: 7 8 9 10 11 12</p>	<p>Includes all Q50 3.0t LUXE standard features, plus:</p> <ul style="list-style-type: none"> • 360-combined-hp 3.5-liter V6 with INFINITI Direct Response Hybrid® and Idle Stop/Start • 19-inch Sport wheels • 245/40R19 performance run-flat tires • Sport-tuned suspension • INFINITI InTouch™ Navigation¹² • INFINITI InTouch™ Services with 12 months of safety, security and convenience services⁷ • SiriusXM Traffic™ with 4-year complimentary trial access to real-time traffic information⁹ • Heated front seats and steering wheel • Remote Engine Start System¹¹ • Bose® Performance Series 16-speaker Premium Audio system • Leather-appointed seats • Driver's seat power lumbar adjustment • Power tilting and telescopic steering column • Dual-occupant memory system for driver's seat, steering column and auto-dimming outside mirrors • Advanced Climate Control System (ACCS) with auto-recirculation, Plasmacluster® air purifier and Grape Polyphenol Filter¹⁷ • Enhanced ambient lighting • INFINITI Radiant Illuminated Kick Plates <ul style="list-style-type: none"> • Backup Collision Intervention (BCI)¹⁴ • Around View® Monitor (AVM) with Moving Object Detection (MOD)¹⁵ • Front and Rear Parking Sensors⁵ • Predictive Forward Collision Warning (PFCW)³ • Forward Emergency Braking (FEB)¹⁶ • Intelligent Cruise Control (ICC) (Full-Speed Range)¹⁸ • Direct Adaptive Steering® (DAS) • Lane Departure Warning (LDW) and Lane Departure Prevention (LDP) with Active Lane Control^{19,20} • Blind Spot Warning (BSW) and Blind Spot Intervention® (BSI®)¹³ • Distance Control Assist (DCA)²¹ • Adaptive Front lighting System (AFS) • High Beam Assist (HBA) headlights • Front-seat Pre-Crash Seat Belts • Eco Pedal • INFINITI Radiant Grille Emblem • Rear-Wheel Drive or INFINITI Intelligent All-Wheel Drive

PACKAGES

- 1 Essential (2.0t LUXE)**
- INFINITI InTouch™ Navigation¹²
 - INFINITI InTouch™ Services with 12 months of safety, security and convenience services⁷
 - SiriusXM Traffic™ with 4-year complimentary trial access to real-time traffic information⁹
 - Heated front seats with driver power lumbar adjustment
 - Heated steering wheel
 - 60/40-split folding rear seat with center armrest

- 2 Essential (3.0t LUXE)**
- Includes all features of Essential (2.0t LUXE), plus:
- Remote Engine Start System¹¹

- 3 Essential (3.0t SPORT)**
- Includes Essential Package (3.0t LUXE) contents. (Driver's seat power lumbar adjustment standard on Q50 3.0t SPORT models)

- 4 Performance**
- Requires Essential Package (3.0t SPORT). (Available on Q50 3.0t SPORT models only)
- Dynamic Digital Suspension
 - Sport brakes with silver finish calipers
 - Steering wheel-mounted paddle shifters

- 5 ProASSIST**
- Requires Essential Package on Q50 2.0t LUXE and Q50 3.0t LUXE models. Requires Performance Package on Q50 3.0t SPORT models. Standard on Q50 Hybrid LUXE models and Q50 RED SPORT 400 models.
- Blind Spot Warning (BSW)¹³
 - Backup Collision Intervention (BCI)¹⁴
 - Around View® Monitor (AVM) with Moving Object Detection (MOD)¹⁵

- Front and Rear Parking Sensors⁵
- Predictive Forward Collision Warning (PFCW)³
- Forward Emergency Braking (FEB)¹⁶

- 6 Sensory (3.0t LUXE)**
- Requires ProASSIST Package and INFINITI Radiant Illuminated Kick Plates. (Available on Q50 3.0t LUXE models only)
- Bose® Performance Series 16-speaker Premium Audio System
 - Leather-appointed seating
 - Power tilt and telescopic steering column
 - Dual-occupant memory system for driver's seat, steering column and auto-dimming outside mirrors
 - Advanced Climate Control System (ACCS) with auto-recirculation, Plasmacluster® air purifier and Grape Polyphenol Filter¹⁷
 - Enhanced ambient lighting

- 7 Sensory (SPORT)**
- Requires ProASSIST Package and INFINITI Radiant Illuminated Kick Plates. (Available on Q50 3.0t SPORT and Q50 RED SPORT 400 models)
- Bose® Performance Series 16-speaker Premium Audio system
 - Power tilt and telescopic steering column
 - Dual-occupant memory system for driver's seat, steering column and auto-dimming outside mirrors
 - Advanced Climate Control System (ACCS) with auto-recirculation, Plasmacluster® air purifier and Grape Polyphenol Filter¹⁷
 - Enhanced ambient lighting

- 8 ProACTIVE**
- Requires Sensory Package, and INFINITI Radiant Grille Emblem on Q50 3.0t LUXE, Q50 3.0t SPORT and Q50

- RED SPORT 400 models. Standard on Q50 Hybrid LUXE models.
- Intelligent Cruise Control (ICC) (Full-Speed Range)¹⁸
 - Direct Adaptive Steering® (DAS)
 - Lane Departure Warning (LDW) and Lane Departure Prevention (LDP) with Active Lane Control^{19,20}
 - Blind Spot Intervention® (BSI®)¹³
 - Distance Control Assist (DCA)²¹
 - Adaptive Front lighting System (AFS)
 - High Beam Assist (HBA) headlights
 - Front-seat Pre-Crash Seat Belts
 - Eco Pedal

- 9 High Performance Conventional Summer Tire**
- Requires Spare Tire, Sensory Sport and INFINITI Radiant Illuminated Kick Plates. (Available on Q50 RED SPORT 400 only)
- Replaces run-flat tires with conventional tires

- 10 Spare Tire**
- Requires High Performance Conventional Summer Tire Package. (Available on Q50 RED SPORT 400 only)

- 11 INFINITI Radiant Illuminated Kick Plates**
- Requires Sensory on Q50 3.0t LUXE. Requires Sensory Sport on Q50 3.0t SPORT and Q50 RED SPORT 400 models. Standard on Q50 Hybrid LUXE models.

- 12 INFINITI Radiant Grille Emblem**
- Requires Sensory, INFINITI Radiant Illuminated Kick Plates, and ProACTIVE on Q50 3.0t LUXE, Q50 3.0t SPORT and Q50 RED SPORT 400 models.

GENUINE INFINITI ACCESSORIES

Make a powerful impression. Enhance every connection and experience, inside and out. Customize your Q50 with a wide array of innovative products designed for a custom-fit and finish.²² Every Genuine INFINITI Accessory is created to the same exacting standards applied to the creation of your INFINITI vehicle so you can confidently transform your Q50. For more information and to shop online for Genuine INFINITI Accessories, go to parts.infiniti.com.



ALL-SEASON FLOOR MATS/CARPETED FLOOR MATS/SPORT CARPETED FLOOR MATS From the year-round, custom-made protection of a durable, long-wearing material to the high-quality construction of a plush carpet to the extra grip of a sport wheel pad design, INFINITI floor mats perform.

INFINITI 4G WI-FI Seamlessly and securely conduct internet activities in stationary or moving vehicle. Turn your Q50 into a roving Wi-Fi hotspot, connecting up to five Wi-Fi-enabled devices to the internet in and around the car.²³

INFINITI RADIANT ILLUMINATED KICK PLATES The INFINITI logo glows softly along the bottom of the front door sills—a signature flourish you and your passengers will appreciate every time you get in.

REAR CARGO TRUNK PROTECTOR²⁴ Constructed of heavy, durable and flexible material, the trunk protector helps secure belongings when driving. Tough enough to resist scratches, spills and scuffs. Flexible enough to easily remove and clean.

BLACK SPORT GRILLE Announce your arrival with an aggressive and sporty gloss-black front grille. Attention-to-detail enhances INFINITI's signature double-arch grille design into something daring.

CARBON FIBER REAR SPOILER Complement the agile profile with a carbon fiber-finished rear spoiler and give your Q50 an unmatched performance identity.

ACCESSORIES SHOWN Carbon Fiber Rear Spoiler, Carbon Fiber Side Mirror Covers, Front and Rear Splash Guards, INFINITI Radiant Grille Emblem, INFINITI Radiant External Ground Lighting

DESIGN YOUR EXHILARATION. Q50 RED SPORT 400

The feeling is limitless. The sense of power is like an endless flood. Then you open your eyes and look around. Yes, you are sitting inside a vehicle that epitomizes heightened performance. Yet human artistry surrounds you. Starting with the aesthetic of red-stitched semi-aniline leather-appointed seats,² extending to the tactile sense of deep-quilted surfaces¹ and progressing to the modern feel of dark-finished accents,³ this is design that elevates. Inspires. Emboldens.

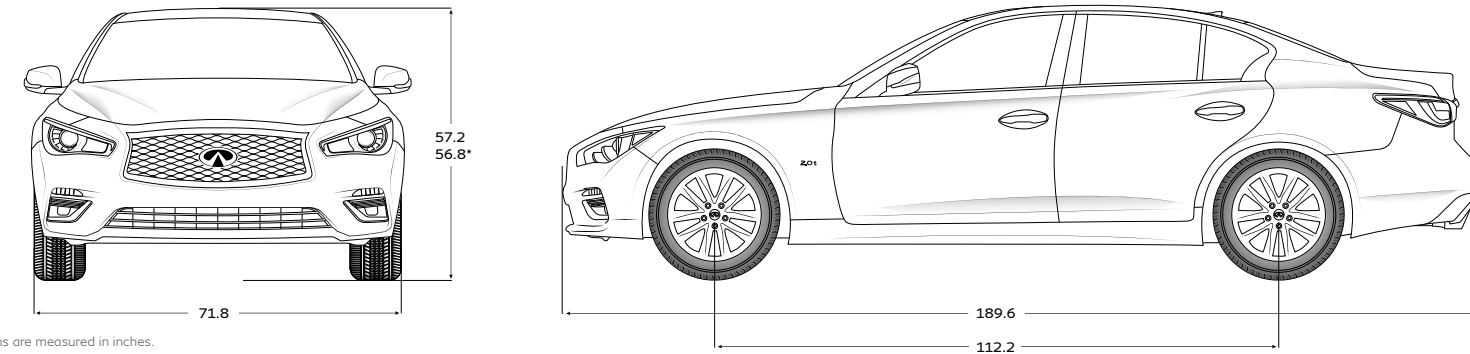


TECHNICAL SPECS

EXTERIOR DIMENSIONS	
Coefficient of drag—2.0t PURE, LUXE / 3.0t SPORT / RED SPORT 400	0.26 / 0.28 / 0.29
Coefficient of drag—2.0t PURE AWD / LUXE AWD / 3.0t SPORT AWD, RED SPORT 400 AWD	0.26 / 0.27 / 0.28
Turning diameter (feet)—RWD / AWD	36.7 / 37.4
INTERIOR DIMENSIONS	
Cargo volume (cubic feet)—2.0t PURE, 2.0t LUXE / 3.0t LUXE, 3.0t SPORT, RED SPORT 400 / Hybrid LUXE	13.2 / 13.5 / 9.4
Headroom with moonroof (inches)—Front / Rear, without moonroof (inches)—Front / Rear	39.5 / 36.8, 40.2 / 37.5
Legroom (inches)—Front / Rear	44.5 / 35.1
Passenger volume with moonroof (cubic feet) / Passenger volume without moonroof (cubic feet)	100 / 101.5
WEIGHT AND CAPACITY	
Curb weight RWD (lbs)—2.0t PURE / 2.0t LUXE / 3.0t LUXE / 3.0t SPORT / RED SPORT 400 / Hybrid LUXE	3,671 / 3,726 / 3,730 / 3,774 / 3,870 / 4,040
Curb weight AWD (lbs)—2.0t PURE / 2.0t LUXE / 3.0t LUXE / 3.0t SPORT / RED SPORT 400 / Hybrid LUXE	3,803 / 3,858 / 3,884 / 3,929 / 4,023 / 4,212
Fuel capacity (gallons)—HEV / Non HEV	17.8 / 20

See infiniti.usa.com for complete list of specifications.

*Q50 3.0t LUXE, Q50 3.0t SPORT and Q50 RED SPORT 400.



All dimensions are measured in inches.

¹ Available on select models. ² Available on RED SPORT 400. 2017 *Ward's* Lower Luxury segmentation, excluding vehicles with a starting MSRP of \$60,000 and over. 2017 INFINITI Q50 RED SPORT 400 vs. in market 2017-2018 4-door sedan competitors. 2017 Q50 RED SPORT 400 AWD model tied with Lincoln MKZ. Source: Manufacturer's Website. ³ PFCW is intended to warn you before a collision occurs; it cannot prevent a collision. Speed and other limitations apply. See Owner's Manual for details. ⁴ Parking aid/convenience feature. Cannot completely eliminate blind spots. May not detect every object and does not warn of moving objects. Always check surroundings and turn to look behind you before moving vehicle. ⁵ The Sonar System is a convenience feature and is not a substitute for proper parking and/or backing procedures. Always check that it is safe to do so before moving vehicle. May not detect every object. ⁶ 2018 EPA Fuel Economy Estimate 27/32 (City/Highway). Actual mileage may vary with driving conditions. Use for comparison only. ⁷ Driving is serious business. Only use INFINITI InTouch Services and INFINITI InTouch Services Premier when safe to do so. Never program while driving. GPS mapping may not be detailed in all areas or reflect current road status. Services, including Automatic Crash Notification and Emergency Call, require an active subscription, and are dependent upon the telematics device being in an operative condition, its ability to connect to a wireless network, compatible wireless network availability, navigation map data, and GPS satellite signal reception, the absence of which can limit or prevent the ability to reach INFINITI InTouch Services Customer Care or receive support. Services require compatible 3G GSM/GPRS cellular network provided by AT&T. 3G cellular network not available in all areas and/or available at all times. Cellular network not available in Guam, Puerto Rico, U.S. Virgin Islands, Saipan or American Samoa. Cellular technology is evolving, and changes to cellular networks provided by independent companies are not within INFINITI's or SiriusXM's control. Certain vehicle services, including Google® compatible services, provided by independent companies are not within INFINITI's or SiriusXM's control and are subject to change without notice or liability to INFINITI, its affiliates and agents or SiriusXM. Like other devices that rely on network coverage, once the network service is discontinued, INFINITI InTouch services will not function without equipment replacements, upgrades, or alternative network coverage, which neither INFINITI nor Sirius XM can guarantee. INFINITI and Sirius XM are not responsible for associated costs that may be required for continued operation due to cellular network shutdown or discontinuation (including equipment upgrades, if available, or roaming charges on alternative networks). Twelve (12) month trial subscription begins on your date of purchase or lease of your new INFINITI. Subsequently, your credit card (if on file) will be charged at the then current subscription rate and your service will renew automatically under the terms of your subscription. Standard text rates and/or data usage may apply. Terms and Conditions of Subscription Agreement apply. See www.infiniti.usa.com/intouch for more information. ⁸ Availability of specific features is dependent upon the phone's Bluetooth® support. Please refer to your phone Owner's Manual for details. Bluetooth word mark and logos are owned by Bluetooth SIG, Inc., and any use of such marks by INFINITI is under license. See <http://www.infiniti.usa.com/bluetooth> for details. ⁹ Required monthly subscriptions sold separately for each available SiriusXM feature after trial period, and are continuous until you call SiriusXM to cancel. Installation costs, one-time activation fee, other fees and taxes will apply. Each SiriusXM feature availability is dependent upon vehicle model, trim level, packaging, and/or options, and may only be available in select markets. Satellite Radio U.S. service, NavWeather service, and SiriusXM TravelLink services (if any of the foregoing features are equipped on vehicle) available only to those 18 or older in the 48 contiguous states and D.C. Fees and programming subject to change. Subscriptions governed by Customer Agreement available at siriusxm.com. ©2017 Sirius XM Radio Inc. Sirius, XM and all related marks and logos are trademarks of Sirius XM Radio Inc. ¹⁰ Driving is serious business and requires your full attention. If you have to use the connected device while driving, exercise extreme caution at all times so full attention may be given to vehicle operation. iPod® is a registered trademark of Apple Inc. All rights reserved. iPod® not included. ¹¹ State laws may apply; review local laws before using. ¹² Never program while driving. GPS mapping may not be detailed in all areas or reflect current road status. ¹³ Blind Spot Warning/Blind Spot Intervention Systems are not a substitute for proper lane change procedures. The systems will not prevent contact with other vehicles or accidents. It may not detect every vehicle or object around you. ¹⁴ BCI will not detect every object, and speed limitations apply. Always check surroundings and turn to look behind you before moving vehicle. See Owner's Manual for details. ¹⁵ AV/M with MOD cannot completely eliminate blind spots and may not detect every object. MOD operates at vehicles speeds below 5 mph. Always check surroundings and turn to look behind you before moving vehicle. ¹⁶ FEB cannot prevent accidents due to carelessness or dangerous driving techniques. It may not provide warning or braking in certain conditions. Speed limitations apply. ¹⁷ The Advanced Climate Control System with Plasmacluster air purifier helps scrub the air in the vehicle's interior. The system senses exterior odors, suppresses unpleasant interior odors, stops the inflow of external odors and helps keep the cabin smelling fresh, but does not always eliminate odors. ¹⁸ Intelligent Cruise Control is not a collision avoidance system or warning device. Designed to use limited braking. Failure to apply the brakes could result in an accident. ¹⁹ Lane Departure Warning/Lane Departure Prevention Systems operate only when the lane markings are clearly visible. Speed limitations apply. See Owner's Manual for details. ²⁰ Active Lane Control cannot prevent accidents or loss of control. It is the driver's responsibility to be in control of the vehicle at all times. ALC may not detect the lane markers in certain road, weather or driving conditions. ²¹ Distance Control Assist helps maintain a distance to the vehicle in front under certain conditions. Not a collision avoidance system. Failure to apply the brakes could result in an accident. ²² Covered by INFINITI's Limited Warranty on Genuine INFINITI Accessories for the longer of 12 months/12,000 miles (whichever is earlier) or the remaining period under the 4-year/60,000-mile INFINITI New Vehicle Limited Warranty. Terms and conditions apply. See Warranty Information Booklet for details. ²³ Driving is serious business and requires your full attention. Only use INFINITI WiFi powered by Autonet Mobile when safe to do so. Only available on select models. See <http://infinitiwifi.us/> for complete availability details. INFINITI WiFi requires compatible cellular network provided by Autonet, the absence of which can limit or prevent the ability of INFINITI WiFi. Cellular network not available in all areas and/or at all times. Technology is evolving, and changes to cellular networks provided by independent companies or other third party changes that impact INFINITI WiFi are not within INFINITI's control. Should a third party or Autonet Mobile terminate or make changes that impact the service, service may be terminated without notice and INFINITI shall have no liability. Enrollment and Subscription Agreement is required to receive INFINITI WiFi through Autonet Mobile. Terms and conditions of Subscription Agreement apply. ²⁴ Cargo and load capacity limited by weight and distribution. Always secure all cargo.